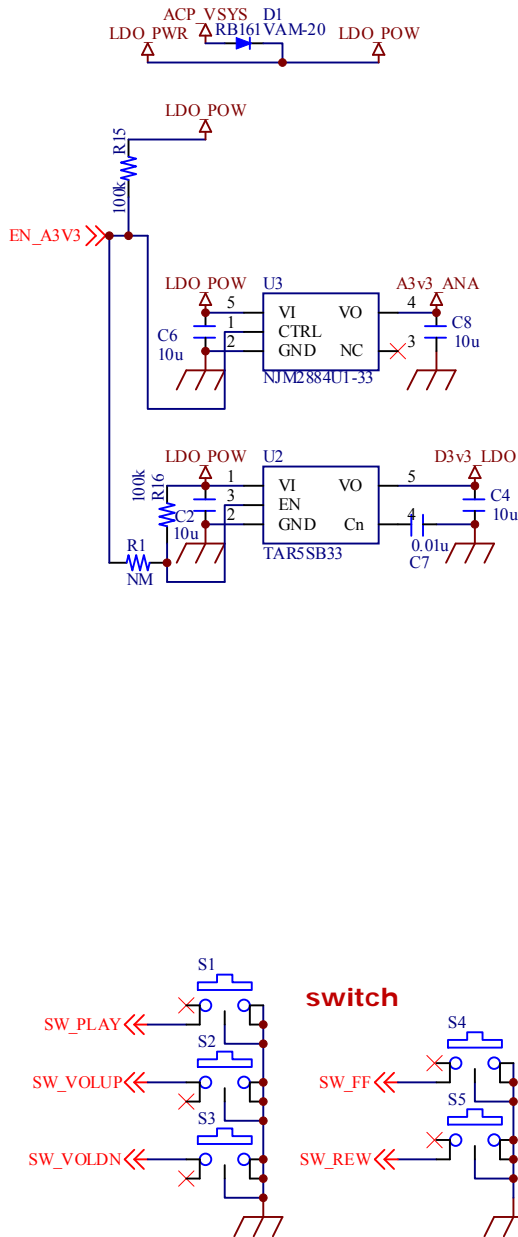
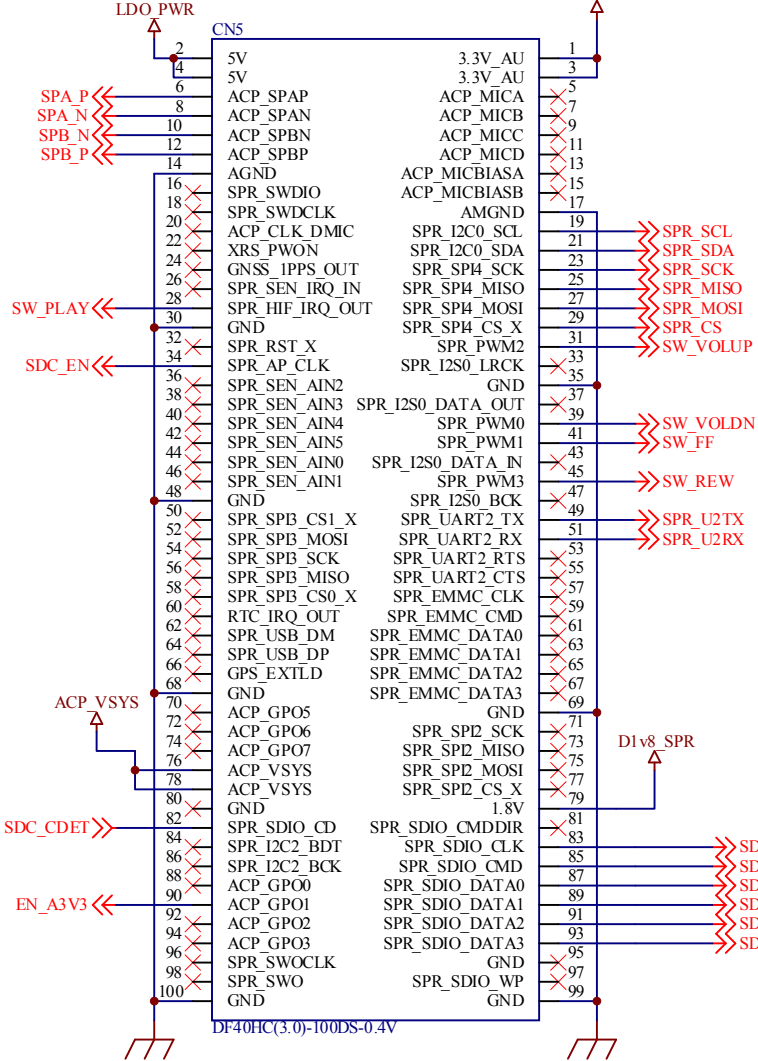


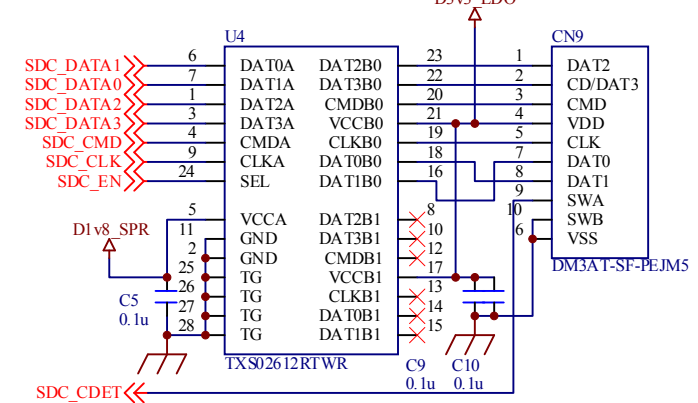
Power



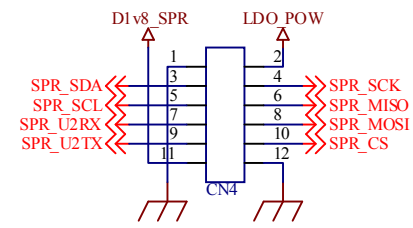
SPRESENCE 100pin I/F



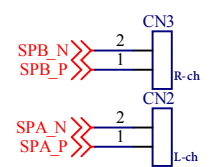
SD Card



Communication (No mount)



Speaker out (No mount)



Title		
GPS-recieve & SD-logging board for SPresense		
Size	Number	Revision
A4	GPSP001	1.00
Date:	2019/03/18	Sheet of
File:	C:\KUNUGIGARAGE\GPSP001\GPSP001.SCHDOC	15/40